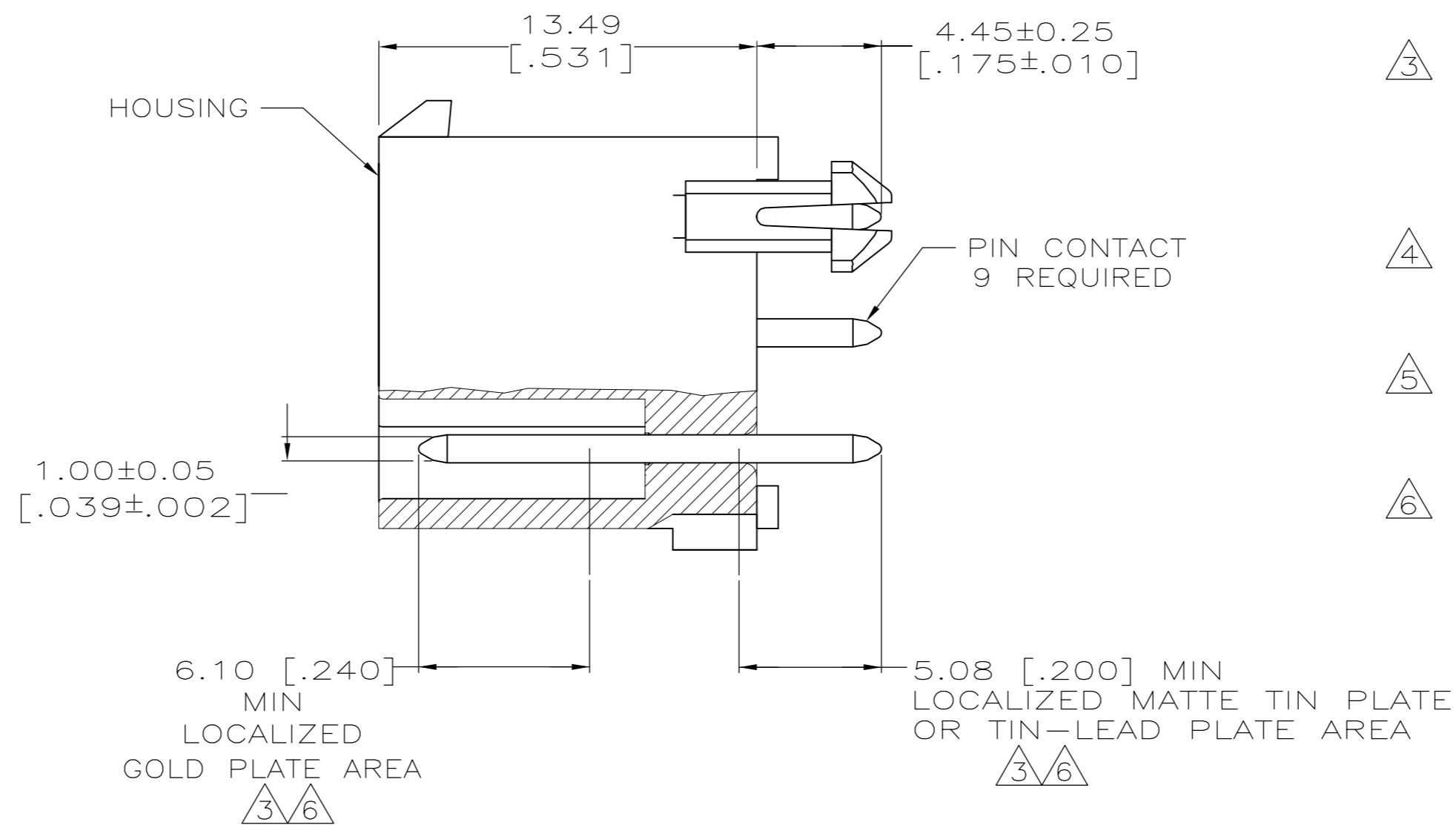
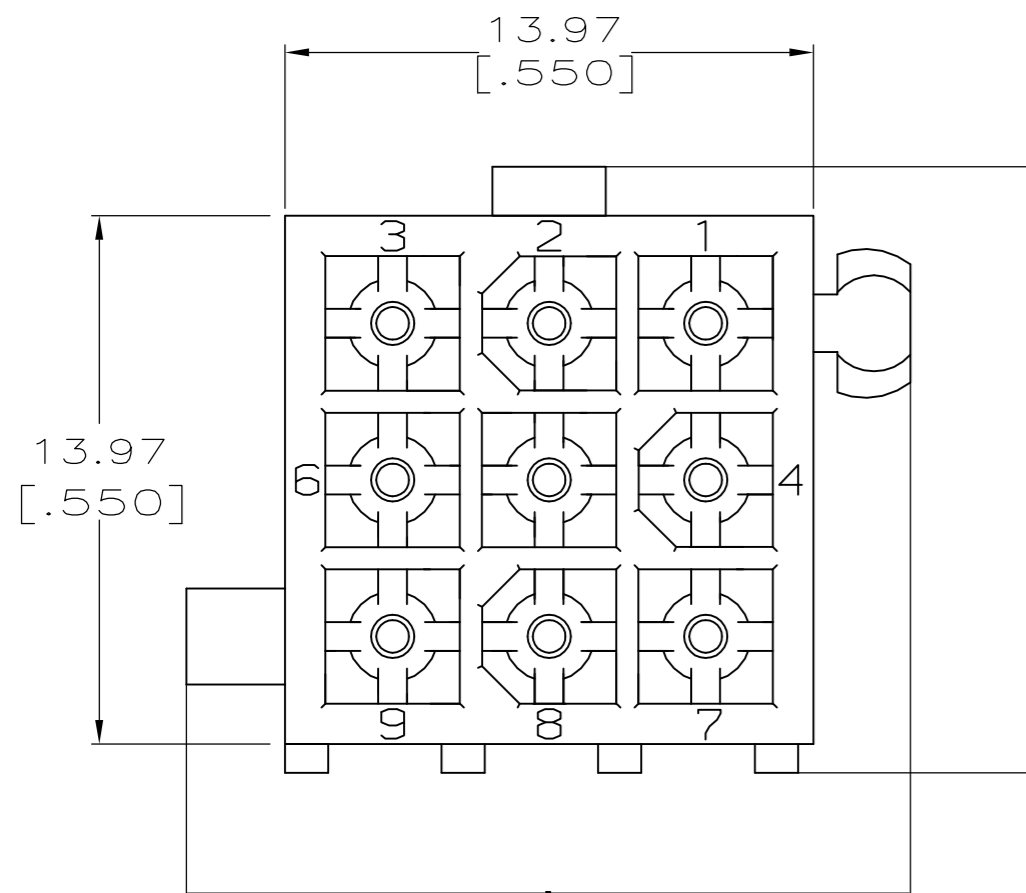
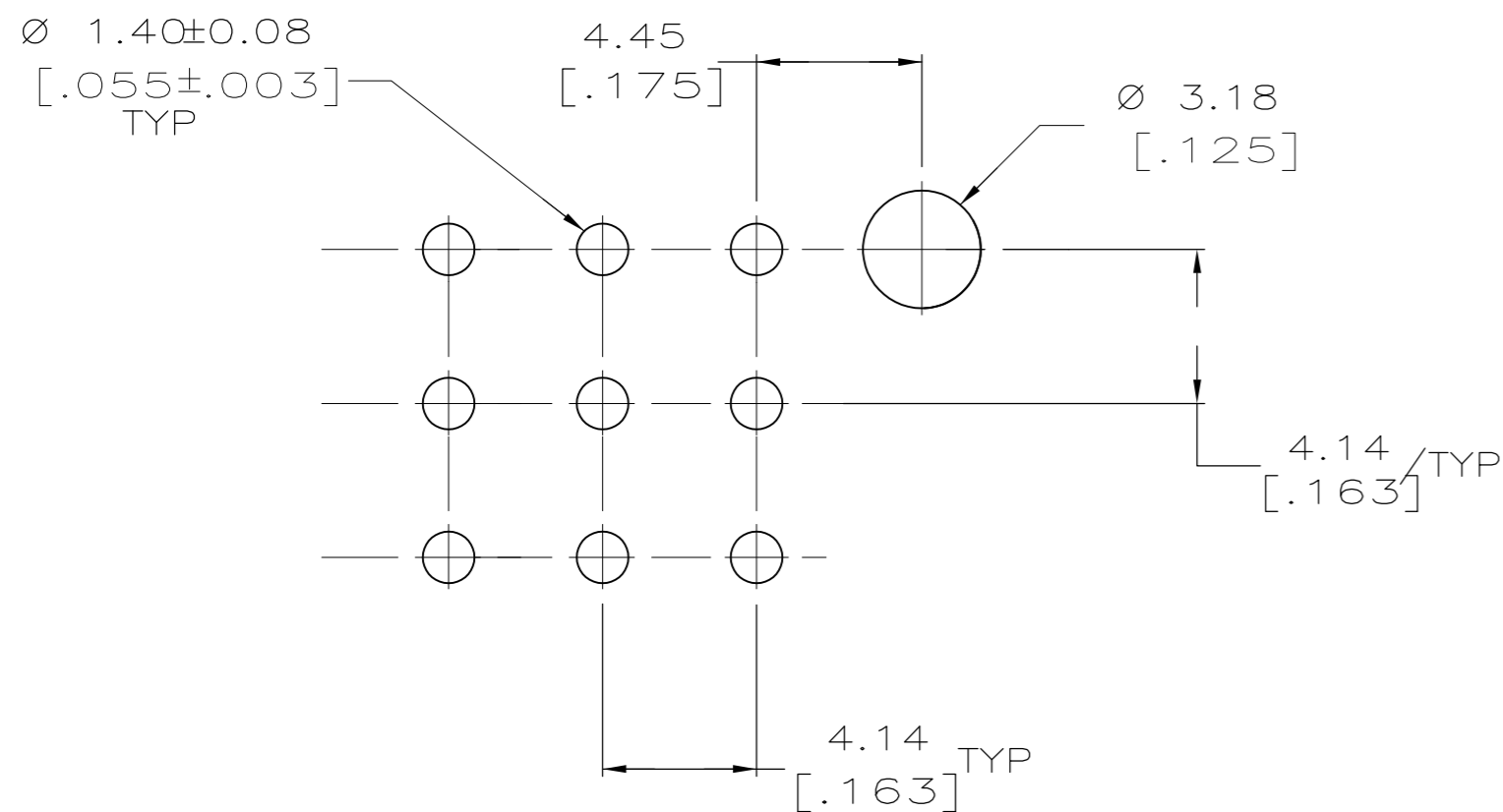


THIS DRAWING IS UNPUBLISHED. RELEASED FOR PUBLICATION
 © COPYRIGHT BY TYCO ELECTRONICS CORPORATION. ALL RIGHTS RESERVED.

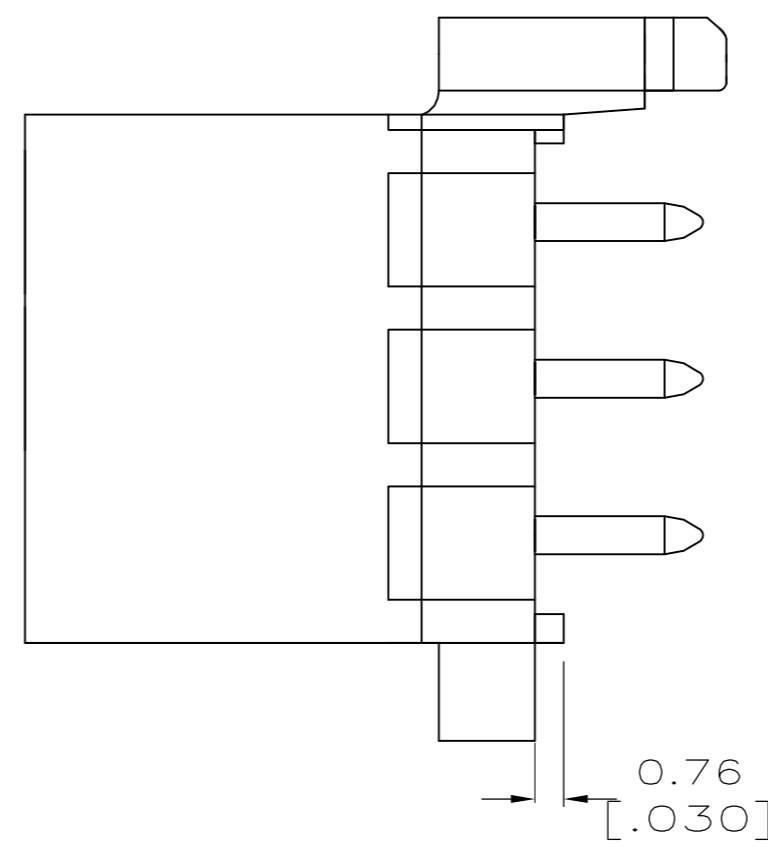
LOC		DIST		REVISIONS			
P	LTR	DESCRIPTION	DATE	DWN	APVD		
CM	0	G	REVISED PER ECR-15-010337	23JUL2015	RK	SC	



- PINS TO COMPLY WITH AMP SOLDERABILITY SPEC. 109-11-3.
- DIMENSIONS SHOWN IN BRACKETS ARE IN INCHES.
- 0.00076 [.000030] MIN GOLD PLATE IN THE LOCALIZED GOLD PLATE AREA, 0.00381 [.000150] MATTE TIN LEAD IN THE LOCALIZED TIN LEAD PLATE AREA, BOTH OVER 0.00127 [.000050] MIN NICKEL.
- 0.00381 [.000150] MATTE TIN LEAD OVER 0.00127 [.000050] MIN NICKEL ENTIRE LENGTH OF PIN.
- 0.00381 [.000150] MATTE TIN OVER 0.00127 [.000050] MIN NICKEL ENTIRE LENGTH OF PIN.
- 0.00076 [.000030] MIN GOLD PLATE IN THE LOCALIZED GOLD PLATE AREA, 0.00381 [.000150] MATTE TIN IN THE LOCALIZED TIN PLATE AREA, BOTH OVER 0.00127 [.000050] MIN NICKEL.



RECOMMENDED LAYOUT FOR 1.57 [.062] THICK BOARD
 TOLERANCES NON-ACCUMULATIVE



MATERIAL	FINISH	MATERIAL	COLOR	PART NO.
BRASS	6	NYLON, UL94V-0	WHITE	1-770876-1
BRASS	5	NYLON, UL94V-0	WHITE	1-770876-0
BRASS	3	NYLON, UL94V-0	WHITE	770876-2
BRASS	4	NYLON, UL94V-0	WHITE	770876-1

THIS DRAWING IS A CONTROLLED DOCUMENT.

DWN	S CARPENTER	09JUN05	TE Connectivity HEADER ASSEMBLY CLOSED BOTTOM, 9 CKT, MINI UNIVERSAL MATE-N-LOK	
CHK	R JONES	29JUL2003		
APVD	R JONES	29JUL2003		
PRODUCT SPEC				
APPLICATION SPEC			SIZE	A2
WEIGHT			CAGE CODE	00779
CUSTOMER DRAWING			DRAWING NO	C=770876
			RESTRICTED TO	
			SCALE	5:1
			SHEET	1 OF 1
			REV	G